

# Surface Mount Crystal

•SR3-10 (4.9 x 1.8 x 1.0 mm)

# NKG

Factory  
Direct to  
the USA

## Electrical Specifications

SMD 32.768 KHz		
SR3-10		
CERAMIC SMD TUNING FORK		SR3-10
<b>PARAMETER</b>	<b>CONDITION</b>	
FREQUENCY		32.768 KHz
DIMENSIONS		4.9 x 1.8 x 1.0 MM
LOAD CAPACITANCE (CL)	STANDARD	12.5 pF
	OPTIONAL	6,7, 9
STATIC CAPACITANCE (Co)		1.0 pF TYPICAL
EQUIVALENT SERIES RESISTANCE (ESR)		70 K OHM MAX
MOTIONAL CAPACITANCE (C1)		2.0 fF TYP
DRIVE LEVEL		0.5 uW TYP., 1.0 uW MAX
FREQUENCY MODE		FUNDAMENTAL
FREQ. TOLERANCE AT +25C	STANDARD	+/-20 PPM
	OPTIONAL	+/-10 PPM, +/-30 PPM
TURNOVER TEMPERATURE		+25°C, +/-5°C
TEMPERATURE COEFFICIENT		-0.04 PPM/°C^2
OPERATING TEMP. RANGE		-40°C TO +85°C
STORAGE TEMP. RANGE		-55°C TO +125°C
AGING	FIRST YEAR	3 PPM
HERMETIC SEALED		YES, SEAM SEALED
INSULATION RESISTANCE		500 MΩ MIN
SOLDER PADS	QTY:	2
RoHS STATUS		FULLY COMPLIANT
LEGACY P/N		01-CR3-10

**NOTES:**

---



---



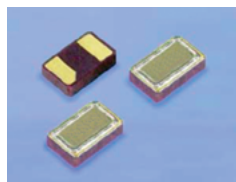
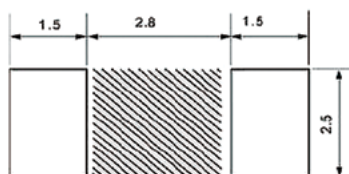
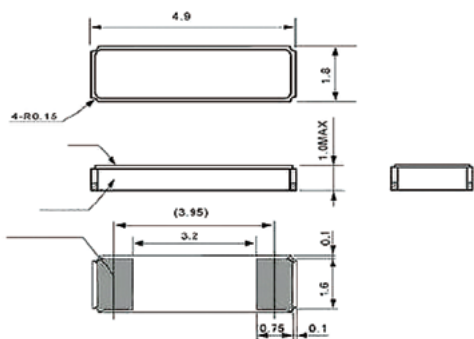
---



---

## Dimensions (Unit:mm)

## \*NKG Crystal Part Example Key



\*NOT TO SCALE

**SR3 - 10 - 32K768 - 12.5 - 20 - M**

Family  
(a grouping of similar parts sharing common attributes and features)

Package (if necessary)

Frequency

Temperature Range Celsius  
C = -10° to +60°  
E = -20° to +70°  
M = -40° to +85°

Frequency Tolerance at 25° C

CL (load capacitance)

### Contact

[www.nkg-usa.com/contactnkg](http://www.nkg-usa.com/contactnkg)