

Surface Mount Crystal

•SR3-09 (4.1 x 1.5 x 0.9 mm)

NKG

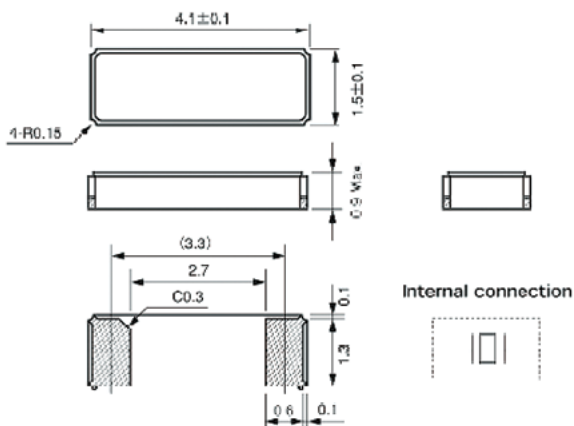
**Factory
Direct to
the USA**

Electrical Specifications

SMD 32.768 KHz		
SR3-09		
CERAMIC SMD TUNING FORK		SR3-09
PARAMETER	CONDITION	
FREQUENCY		32.768 KHz
DIMENSIONS		4.1 x 1.5 x 0.9 mm
LOAD CAPACITANCE (CL)	STANDARD	12.5 pF
STATIC CAPACITANCE (Co)		1.5 pF TYPICAL
EQUIVALENT SERIES RESISTANCE (ESR)		65 K OHM MAX
MOTIONAL CAPACITANCE (C1)		2.0 pF TYP
DRIVE LEVEL		0.5 uW TYP., 1.0 uW MAX
FREQUENCY MODE		FUNDAMENTAL
FREQ. TOLERANCE AT +25C	STANDARD	+/-20 PPM
	OPTIONAL	+/-10 PPM, +/-30 PPM
TURNOVER TEMPERATURE		+25°C, +/-5°C
TEMPERATURE COEFFICIENT		-0.04 PPM/°C ²
OPERATING TEMP. RANGE		-40°C TO +85°C
STORAGE TEMP. RANGE		-55°C TO +125°C
AGING	FIRST YEAR	3 PPM
HERMETIC SEALED		YES, SEAM SEALED
INSULATION RESISTANCE		500 MΩ Min
SOLDER PADS	QTY:	2
RoHS STATUS		FULLY COMPLIANT
LEGACY P/N		01-CR3-09

NOTES:

Dimensions (Unit:mm)



*NKG Crystal Part Example Key

SR3 - 09 - 32K768 - 12.5 - 20 - M

Family
(a grouping of similar parts sharing common attributes and features)

Package (if necessary)

Frequency

Temperature Range Celsius

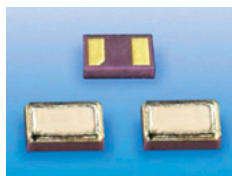
C = -10° to +60°

E = -20° to +70°

M = -40° to +85°

Frequency Tolerance at 25° C

CL (load capacitance)



*NOT TO SCALE

Contact

www.nkg-usa.com/contactnkg