

Surface Mount Crystal

•S7M (7.0 x 5.0 x 1.1 mm)

NKG

Factory
Direct to
the USA

Electrical Specifications

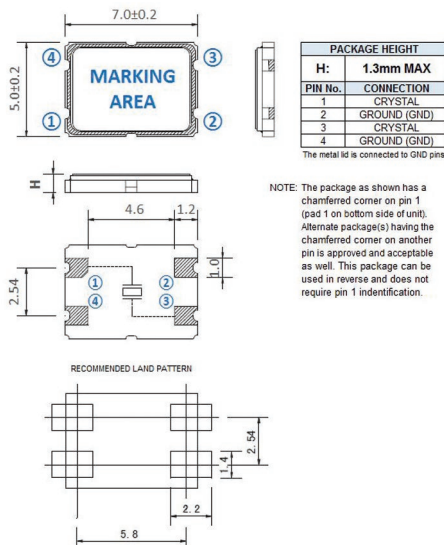
SMD Crystal S7M		S7M
PARAMETER	CONDITION	
CERAMIC SMD		S7M
FREQUENCY RANGE	FUNDAMENTAL	6 MHz to 55 MHz
	3rd O.T.	40 MHz to 100 MHz
DIMENSIONS		7.0 x 5.0 x 1.1 MM
LOAD CAPACITANCE (CL)		6 TO 32 pF & SERIES
STATIC CAPACITANCE (Co)		7 pF MAX
EQUIVALENT SERIES RESISTANCE (ESR)		SEE TABLE 1 BELOW
MODE		SEE TABLE 1 BELOW
DRIVE LEVEL		10 μW typ., 100 μW MAX
FREQ. TOLERANCE AT +25C	STANDARD	+/-30 PPM
	OPTIONAL	+/-10 PPM to +/-100 PPM
STABILITY VS. TEMP.	STANDARD	+/-30 PPM
	OPTIONAL	+/-10 PPM to +/-100 PPM
OPERATING TEMP. RANGE	STANDARD	-20°C to +70°C
	OPTIONAL	SEE TABLE 2 BELOW
STORAGE TEMP. RANGE		-40°C to +85°C
AGING	FIRST YEAR	5 PPM
HERMETIC SEALED		YES, SEAM SEAL
INSULATION RESISTANCE		500 MΩ Min
SOLDER PADS	QTY:	4
DLD TESTED	RLD, DLD, FLD	YES, 100%
RoHS STATUS		FULLY COMPLIANT
LEGACY P/N		CX-7M

FREQUENCY RANGE	MAX ESR	MODE
6.000 MHz to 7.999 MHz	100 Ohms	Fundamental
8.000 MHz to 9.999 MHz	90 Ohms	Fundamental
10.000 MHz to 10.999 MHz	80 Ohms	Fundamental
11.000 MHz to 11.999 MHz	70 Ohms	Fundamental
12.000 MHz to 15.999 MHz	60 Ohms	Fundamental
16.000 MHz to 55.000 MHz	40 Ohms	Fundamental
40.000 MHz to 83.999 MHz	70 Ohms	3rd Overtone
84.000 MHz to 100.000 MHz	60 Ohms	3rd Overtone

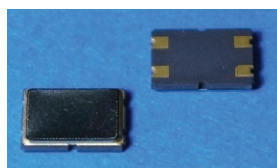
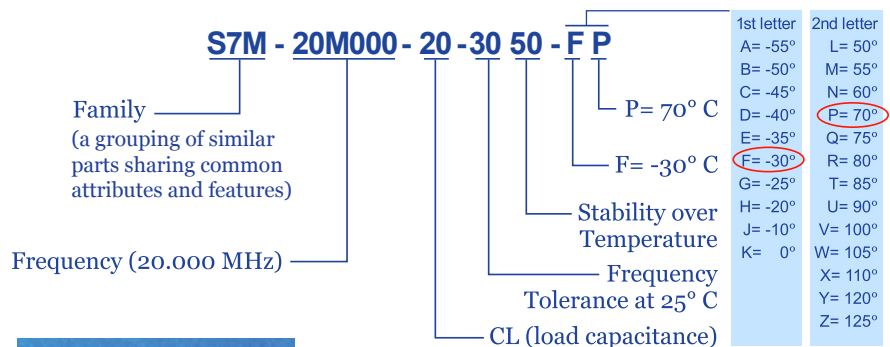
POPULAR TEMPERATURE RANGES
-10°C / +60°C
-20°C / +70°C
-40°C / +85°C
OTHER TEMPERATURE RANGES AVAILABLE - CONSULT FACTORY

NOTES: _____

Dimensions (Unit:mm)



*NKG Crystal Part Example Key



*NOT TO SCALE

Contact
www.nkg-usa.com/contactnkg