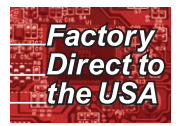


Surface Mount Crystal

•S6M (6.0 x 3.5 x 1.1 mm)



Electrical Specifications

SMD Crystal S6M		S6M
CERAMIC SMD		
PARAMETER	CONDITION	
FREQUENCY RANGE	FUNDAMENTAL	10 MHz to 60 MHz
	3rd O.T.	40 MHz to 80 MHz
DIMENSIONS		6.0 x 3.5 x 1.1 MM
LOAD CAPACITANCE (CL)		6 TO 32 pF & SERIES
STATIC CAPACITANCE (Co)		7 pF MAX
EQUIVALENT SERIES RESISTANCE (ESR)		SEE TABLE 1 BELOW
MODE		SEE TABLE 1 BELOW
DRIVE LEVEL		10 μW typ., 100 μW MAX
FREQ. TOLERANCE AT +25C	STANDARD	+/-30 PPM
	OPTIONAL	+/-10 PPM to +/-100 PPM
STABILITY VS. TEMP.	STANDARD	+/-30 PPM
	OPTIONAL	+/-10 PPM to +/-100 PPM
OPERATING TEMP. RANGE	STANDARD	-20°C to +70°C
	OPTIONAL	SEE TABLE 2 BELOW
STORAGE TEMP. RANGE		-40°C to +85°C
AGING	FIRST YEAR	5 PPM
HERMETIC SEALED		YES, SEAM SEAL
INSULATION RESISTANCE		500 MΩ Min
SOLDER PADS	QTY:	4
DLD TESTED	RLD, DLD, FLD	YES, 100%
RoHS STATUS		FULLY COMPLIANT
LEGACY P/N		CX-6M

TABLE 1 - MAXIMUM ESR and CRYSTAL MODE

FREQUENCY RANGE	MAX ESR	MODE
10.000 MHz to 10.999 MHz	100 Ohms	Fundamental
11.000 MHz to 11.999 MHz	80 Ohms	Fundamental
12.000 MHz to 15.999 MHz	60 Ohms	Fundamental
16.000 MHz to 42.000 MHz	40 Ohms	Fundamental
40.000 MHz to 80.000 MHz	55 Ohms	3rd Overtone

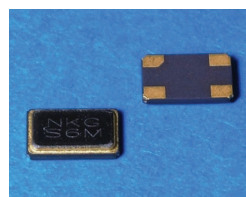
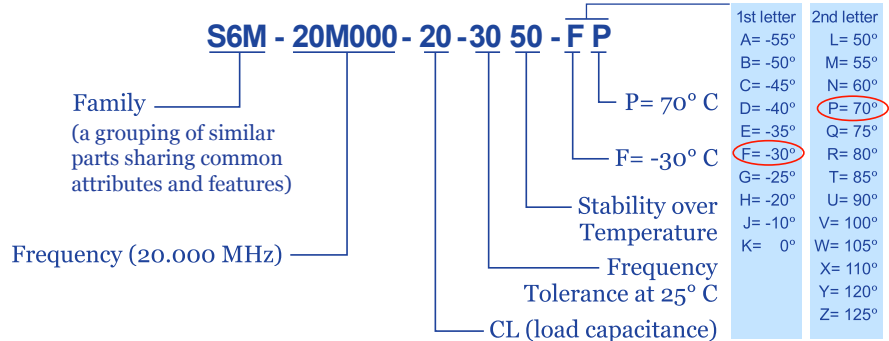
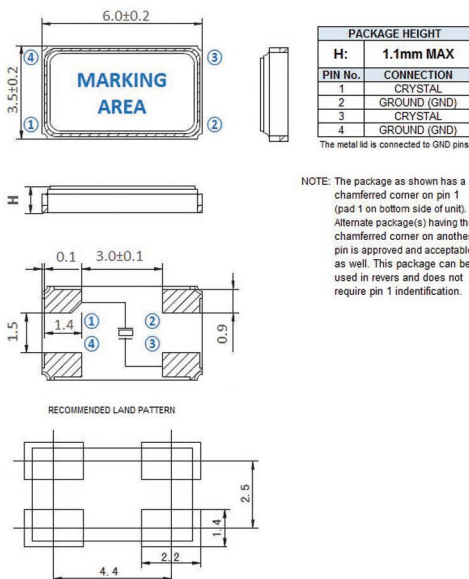
TABLE 2 - OPTIONAL TEMPERATURE RANGES

POPULAR TEMPERATURE RANGES
-10°C / +60°C
-20°C / +70°C
-40°C / +85°C
OTHER TEMPERATURE RANGES AVAILABLE - CONSULT FACTORY

NOTES: _____

Dimensions (Unit:mm)

*NKG Crystal Part Example Key



*NOT TO SCALE

Contact
www.nkg-usa.com/contactnkg