

Surface Mount Crystal

•S1M (1.6 x 1.2 x 0.4 mm)

NKG

Factory
Direct to
the USA

Electrical Specifications

SMD Crystal S1M		S1M
CERAMIC SMD		S1M
PARAMETER	CONDITION	
FREQUENCY RANGE	FUNDAMENTAL	24 MHz to 60 MHz *
DIMENSIONS		1.6 x 1.2 x 0.4 mm
LOAD CAPACITANCE (CL)		6 TO 32 pF & SERIES
STATIC CAPACITANCE (Co)		3 pF MAX
EQUIVALENT SERIES RESISTANCE (ESR)		SEE TABLE 1 BELOW
MODE		FUNDAMENTAL
DRIVE LEVEL		10 µW typ., 50 µW MAX
FREQ. TOLERANCE AT +25C	STANDARD	+/-30 PPM
	OPTIONAL	+/-10 PPM to +/-100 PPM
STABILITY VS. TEMP.	STANDARD	+/-30 PPM
	OPTIONAL	+/-10 PPM to +/-100 PPM
OPERATING TEMP. RANGE	STANDARD	-20°C to +70°C
	OPTIONAL	SEE TABLE 2 BELOW
STORAGE TEMP. RANGE		-40°C to +85°C
AGING	FIRST YEAR	5 PPM
HERMETIC SEALED		YES, SEAM SEALED
INSULATION RESISTANCE		500 MΩ Min
SOLDER PADS	QTY:	4
DLD TESTED	RLD, DLD, FLD	YES, 100%
RoHS STATUS		FULLY COMPLIANT
LEGACY P/N		CX-1M

TABLE 1 - MAXIMUM ESR and CRYSTAL MODE

FREQUENCY RANGE	MAX ESR	MODE
24.000 MHz to 39.999 MHz	200 Ohms	Fundamental
40.000 MHz to 60.000 MHz	100 Ohms	Fundamental

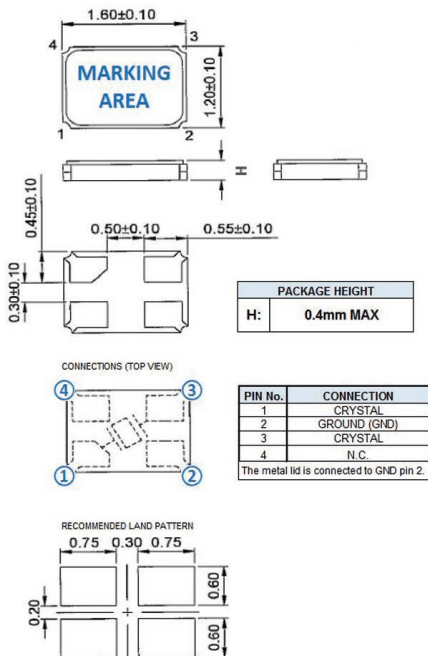
TABLE 2 - OPTIONAL TEMPERATURE RANGES

MOST POPULAR	CODE
-10°C~+60°C	JN
-20°C~+70°C	HP
-40°C~+85°C	DT

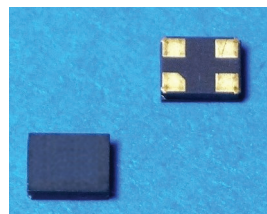
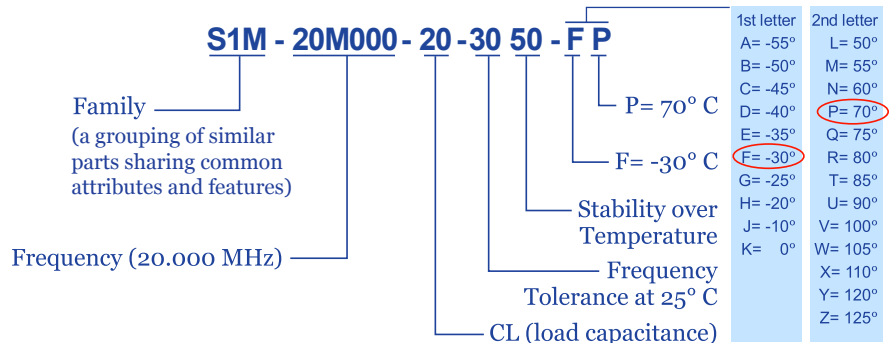
OTHER TEMPERATURE RANGES AVAILABLE - CONSULT FACTORY

NOTES: _____

Dimensions (Unit:mm)



*NKG Crystal Part Example Key



*NOT TO SCALE

Contact
www.nkg-usa.com/contactnkg