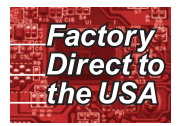


Surface Mount Crystal

- SR1-03/HC-49SM (11 x 4.6 x 4.5 mm)
- SR1-09/HC-49SSM (11 x 4.6 x 3.2 mm)



Electrical Specifications

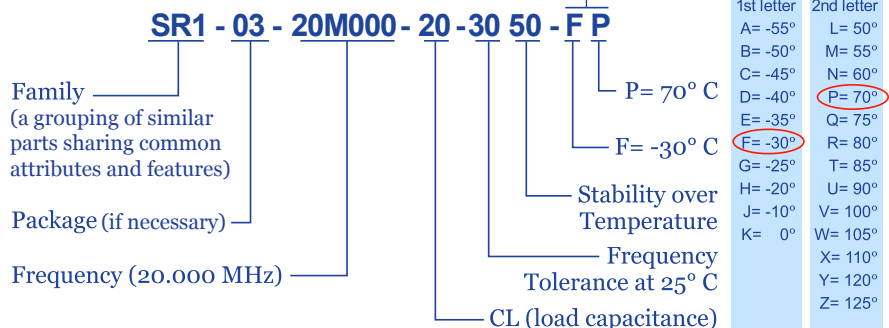
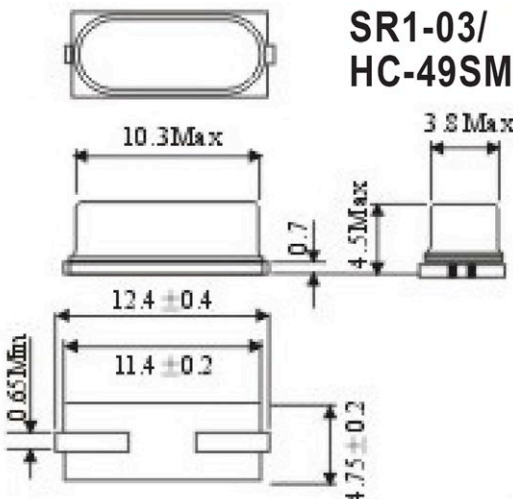
SMD Crystal - SR1-03/HC-49SM & SR1-09/HC-49SSM				
HC-49S-SMD (standard 2 leads)		SR1-03 / HC-49SM	SR1-09 / HC-49SSM	BT (fundamental mode only)
PARAMETER	CONDITION			
FREQUENCY RANGE	FUND or O.T.	3.2000 TO 40 MHz	6.000 TO 40 MHz	27.000 to 40.000 MHz
	3RD OVERTONE	25 TO 90 MHz	25 TO 90 MHz	N/A
DIMENSIONS		11 x 4.6 x 4.5 mm	11 x 4.6 x 3.2 mm	11 x 4.6 x 4.5 mm
LOAD CAPACITANCE (CL)		6 to 32 pF & SERIES	6 to 32 pF & SERIES	6 to 32 pF & SERIES
STATIC CAPACITANCE (Co)		5 pF MAX	5 pF MAX	5 pF MAX
EQUIVALENT SERIES RESISTANCE (ESR)		SEE TABLE BELOW	SEE TABLE BELOW	SEE TABLE BELOW
DRIVE LEVEL		100 uW typ., 500 uW MAX	100 uW typ., 500 uW MAX	100 uW typ., 500 uW MAX
FREQ. TOLERANCE AT +25°C	STANDARD	+/-30 PPM	+/-30 PPM	+/-30 PPM
	OPTIONAL	+/-10 PPM to +/-100 PPM	+/-10 PPM to +/-100 PPM	+/-10 PPM to +/-100 PPM
STABILITY VS. TEMP.	STANDARD	+/-50 PPM	+/-50 PPM	+/-50 PPM
	OPTIONAL	+/-10 PPM to +/-100 PPM	+/-10 PPM to +/-100 PPM	+/-100 PPM to +/-200 PPM
OPERATING TEMP. RANGE	STANDARD	0°C to +70°C	0°C to +70°C	0°C to +70°C
	OPTIONAL	SEE PART # KEY BELOW*	SEE PART # KEY BELOW*	SEE PART # KEY BELOW*
STORAGE TEMP. RANGE		-40°C to +85°C	-40°C to +85°C	-40°C to +85°C
AGING	FIRST YEAR	5 PPM	5 PPM	5 PPM
HERMETIC SEALED		YES	YES	YES
INSULATION RESISTANCE		500 MΩ Min	500 MΩ Min	500 MΩ Min
SOLDER PADS QTY		2	2	2
DLD TESTED	RLD, DLD, FLD	YES, 100%	YES, 100%	YES, 100%
LEGACY P/N		01-CR1-03	01-CR1-23	

FREQUENCY RANGE	MAX ESR	MODE
3.200 to 3.499 MHz	150 Ohms	Fundamental / AT
3.500 to 3.999 MHz	120 Ohms	Fundamental / AT
4.000 to 5.999 MHz	100 Ohms	Fundamental / AT
6.000 to 6.999 MHz	70 Ohms	Fundamental / AT
7.000 to 8.999 MHz	60 Ohms	Fundamental / AT
9.000 to 9.999 MHz	50 Ohms	Fundamental / AT
10.000 to 12.999 MHz	40 Ohms	Fundamental / AT
13.000 to 19.999 MHz	30 Ohms	Fundamental / AT
20.000 to 30.999 MHz	20 Ohms	Fundamental / AT
30.000 to 66.999 MHz	80 Ohms	3RD O.T. / AT
27.000 to 40.000 MHz	30 Ohms	Fundamental / BT

NOTES: _____

Dimensions (Unit:mm)

*NKG Crystal Part Example Key



*NOT TO SCALE

Contact
www.nkg-usa.com/contactnkg